



GEOLAM RAINSCREEN CLADDING/SOFFIT

PROJECT: _____

COMPANY: _____

GENERAL CONTRACTOR: _____

ARCHITECT: _____

LOCATION: _____

Geolam[®]
Architectural Eco-Technology



GEOLAM RAINSCREEN CLADDING/SOFFIT

TABLE OF CONTENTS

1. Vertigo 5010/5011 Installation Guide
2. Product Specs/Data
3. Geolam Warranty



INSTALLATION GUIDE

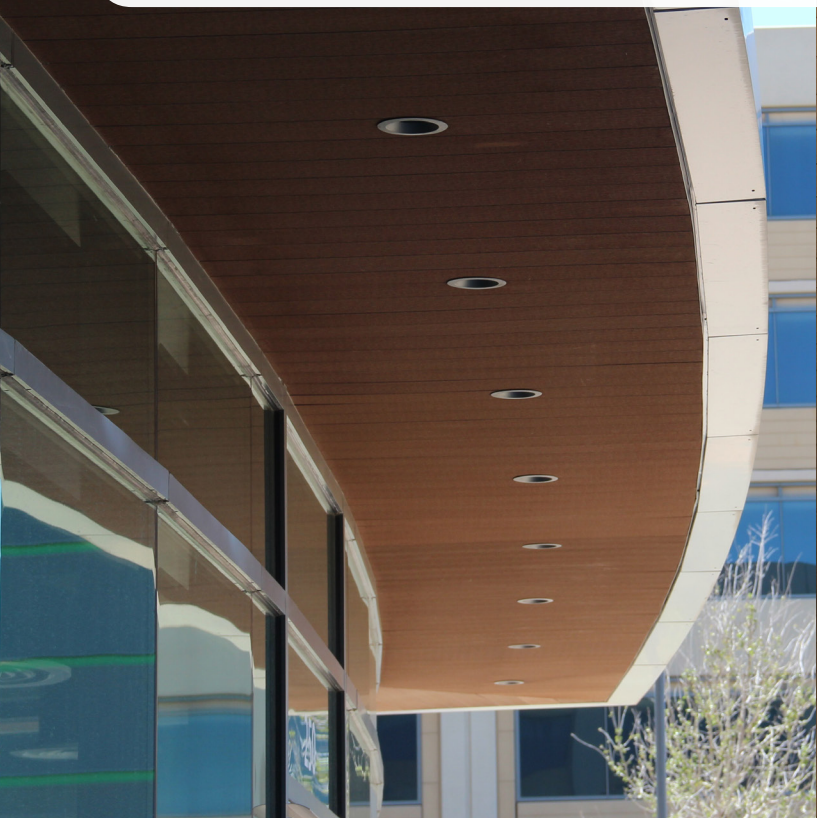
Geolam Vertigo 5010/5011

Cladding & Soffits

Geolam[®]

Architectural Eco-Technology

www.geolaminc.com





Vertigo 5010

WHS: Wood hybrid system

Datasheet



Thickness: 13 mm | ½ in

Total width: 185 mm | 7 ¼ in

Usable width: 170 mm | 6 ½ in

Section tolerances in mm: + 0.5 / - 1.5

Fire rating:

ASTM E-84 Class A / ASTM E-84 Class B

Surfaces finish: sanded

Standard length: 3.65 m | 12 ft

Or order any length from:

2.45 m | 8 ft to 5.48 m | 18 ft

Weight: 1.19 kg/lm | 0.80 lb/ft

Secondary moment Ix (cm⁴): 0.56

Secondary moment Iy (cm⁴): 121.55

Section modulus Zx (cm³): 0.68

Section modulus Zy (cm³): 12.81

Core in anodized aluminum alloy:

A6063S-T5

Coefficient of Thermal Expansion:

(20-100°C) : 23.4 µm/m/°C

Modulus of Elasticity: 68.6 GPa

Tensile Strength: 186 Mpa min

Core cross section (mm²): 371.95

Colors:



Teak



Moleskin



Rosewood



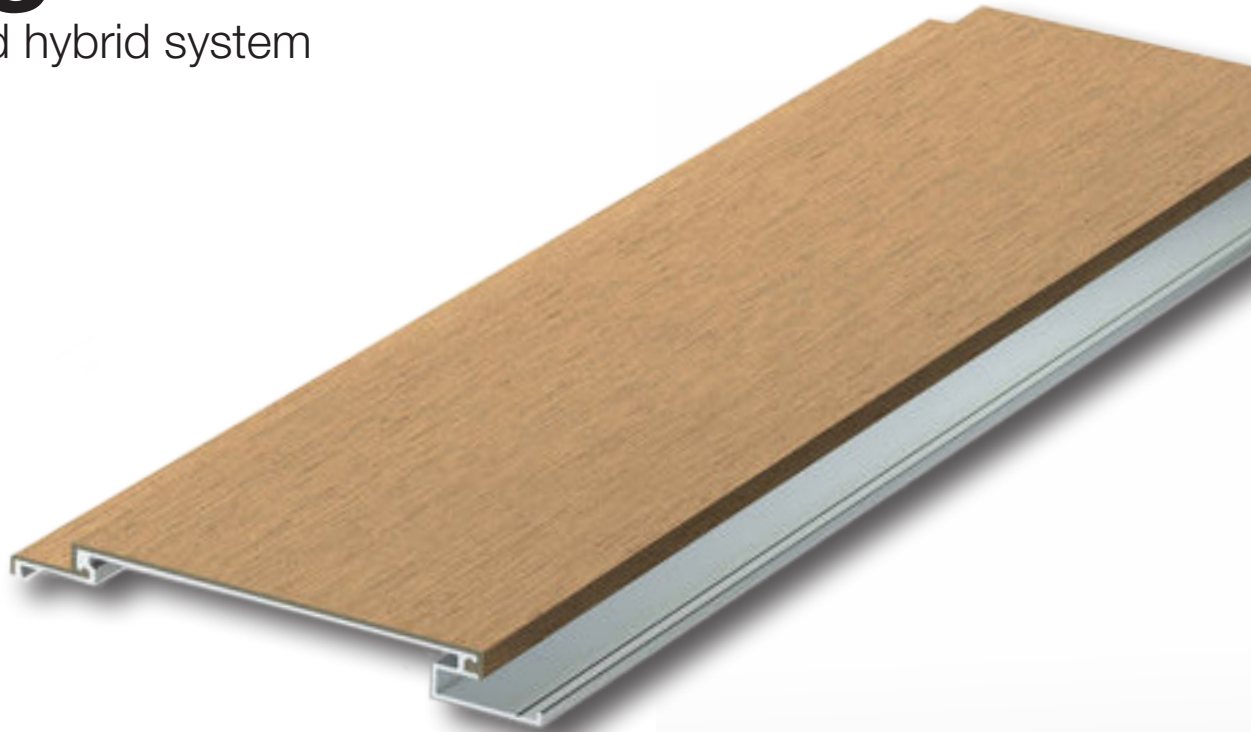
Ebony



Vertigo 5011

WHS: Wood hybrid system

Datasheet



Thickness: 13 mm | ½ in
Total width: 130 mm | 5 ⅛ in
Usable width: 110 mm | 4 ⅛ in
Section tolerances in mm: + 0.5 / - 1.5

Fire rating:

On request before order

Surfaces finish: sanded

Standard length: 3.65 m | 12 ft

Or order any length from:
2.45 m | 8 ft to 5.48 m | 18 ft

Weight: 0.77 kg/m | 0.52 lb/ft

Secondary moment I_x (cm⁴): 0.56

Secondary moment I_y (cm⁴): 121.55

Section modulus Z_x (cm³): 0.68

Section modulus Z_y (cm³): 12.81

Core in anodized aluminum alloy:

A6063S-T5

Coefficient of Thermal Expansion:

(20-100°C) : 23.4 µm/m/°C

Modulus of Elasticity: 68.6 GPa

Tensile Strength: 186 Mpa min

Core cross section (mm²): 371.95

Colors:



Teak



Moleskin



Rosewood



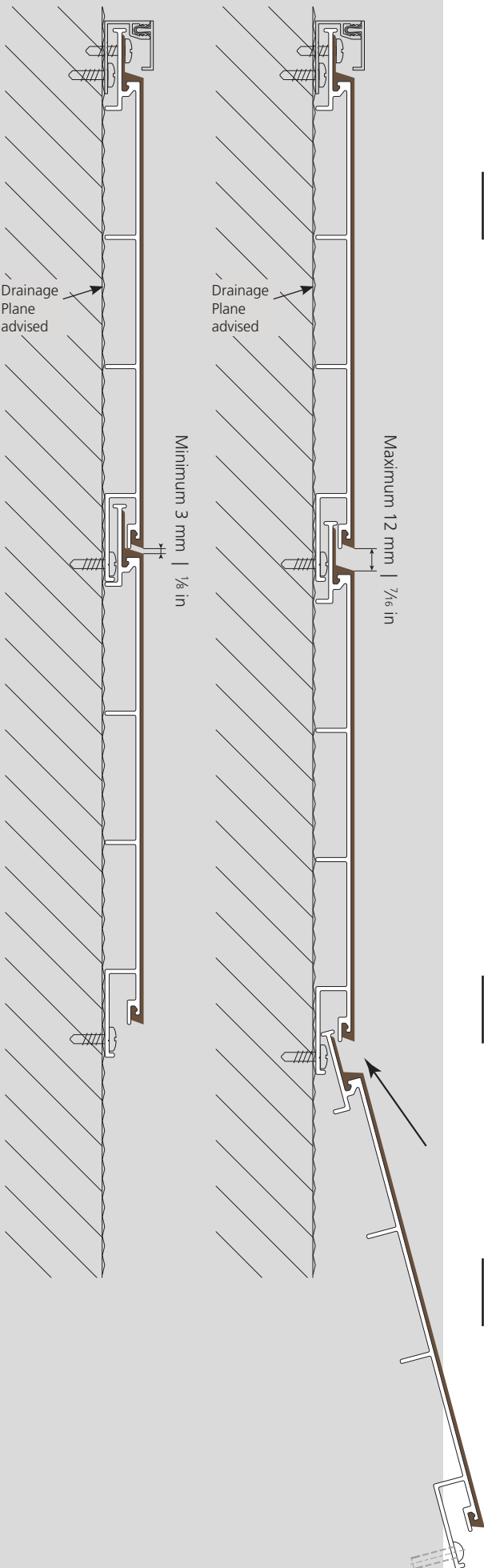
Ebony



Vertigo 5010 / 5011

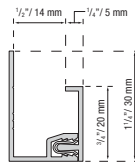
WHS: Wood hybrid system

Datasheet

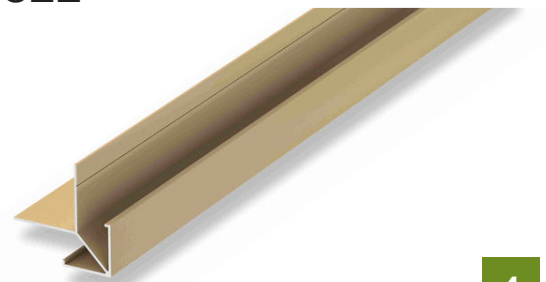
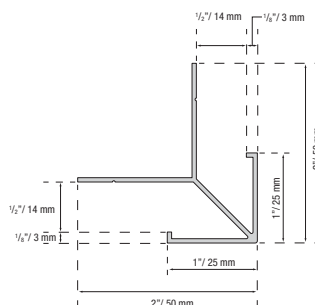


1. Weeping of condensation and air circulation are essential to the health of building products. Although the boards can be mounted directly onto the wall or substrate, it is good building practice to install a drainage plane and mount onto that. Do not seal the top nor bottom of the wall to allow for drainage and air circulation.
2. Geolam boards can be mounted horizontally, vertically, or diagonally directly onto the wall. Over code compliant AVB.
3. Boards may be ripped (cut along their length) as needed.
4. Recommended screws are stainless steel, with an austenitic structure and non-magnetic. Recommended screw diameter is 4 mm, pan head with a diameter of 8.2 mm and length of 19 mm. Maximum 24" o.c.
5. We recommend leaving a 3 mm (1/8") gap between butt ends to allow for expansion/contraction in response to changes in temperature. However, if your design calls for zero-spaced butt joints, please refer to Page 9.
6. The boards may be miter-cut for outside corners or Geolam O/S corners may be used.
6. Exposed screws on the final board may be covered with caulking if desired or our color-matched 2-piece starter/'J' trim as shown below.

2-Piece Starter (J-trim) 9321



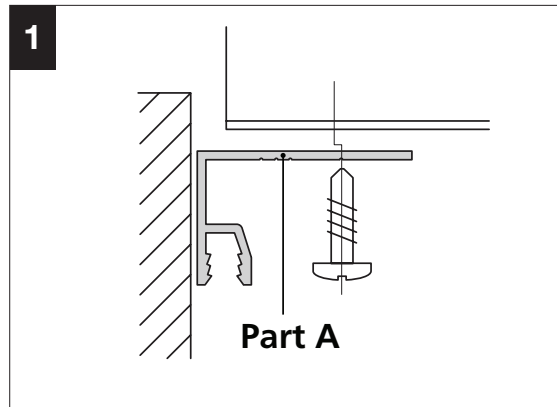
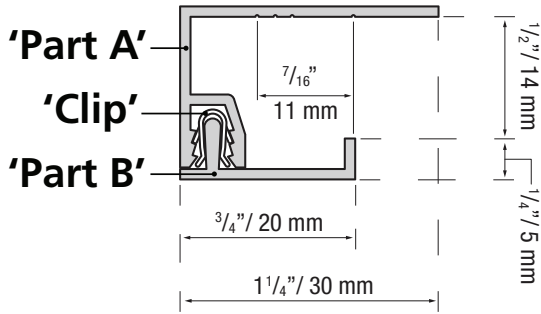
Outside Corner 9322



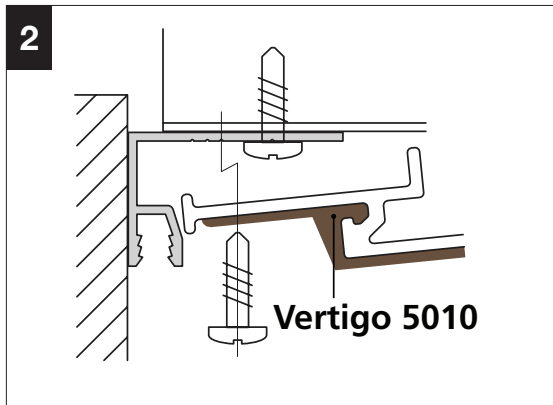


Vertigo 5010 / 5011

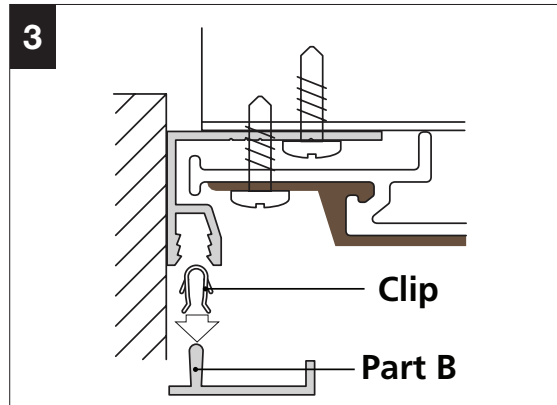
Installation of J-trim



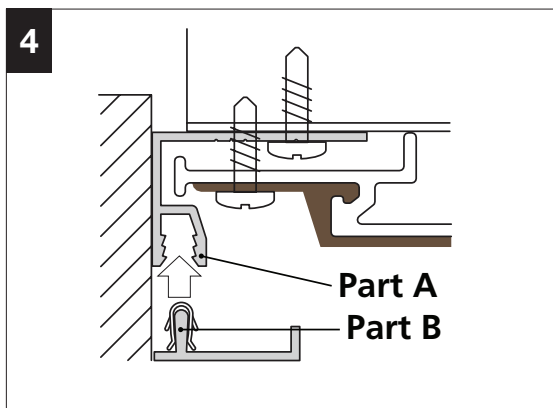
1. Fasten Part A of the J-trim to the wall as shown (ss screws recommended)



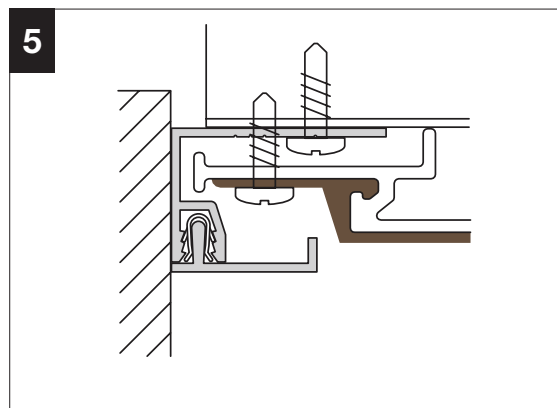
2. Screw the Geolam Vertigo board through the J-trim into the wall every 24"



3. Attach the metal clips onto Part B every 16" (40 cm) as shown



4. With a rubber mallet tap Part B into Part A



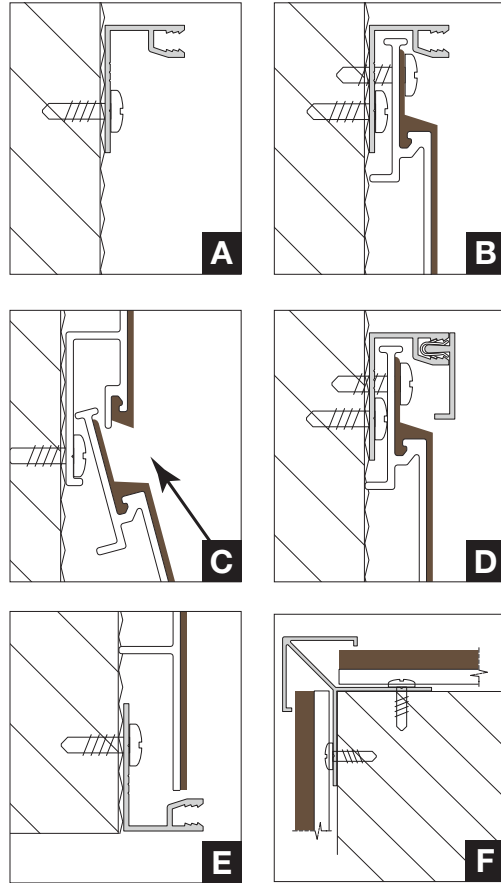
5. Final assembled J-trim



Vertigo 5010 / 5011

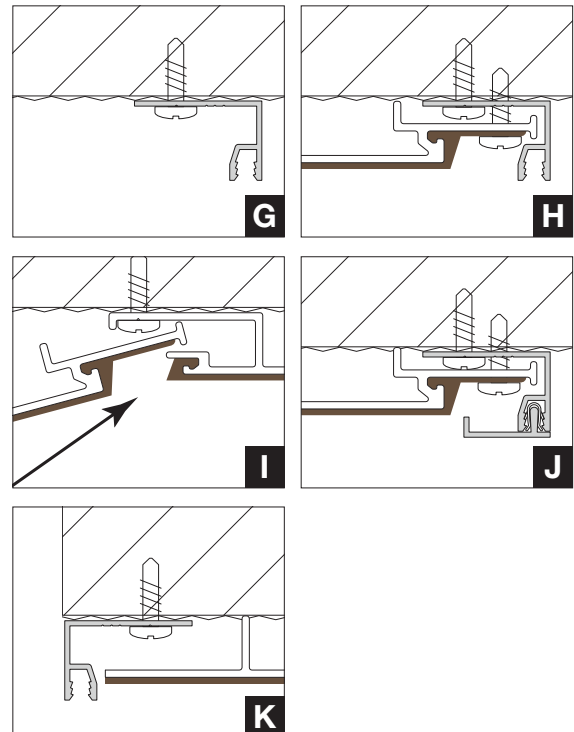
Cladding Installation

1. Install 2-Piece Starter/"J" or other trim component at top and bottom of wall (A)
2. If outside corners are not mitered, install Outside Corners before cladding (F)
3. Install top course first panel and screw at maximum 24" (B)
4. Install next panel with selected joint reveal gap and secure (C)
5. Install adjacent panels leaving 1/8" or 3mm between butt joints
6. Cut last panel as needed to fit into "J"/ Starter Trim and secure (E)



Soffit Installation

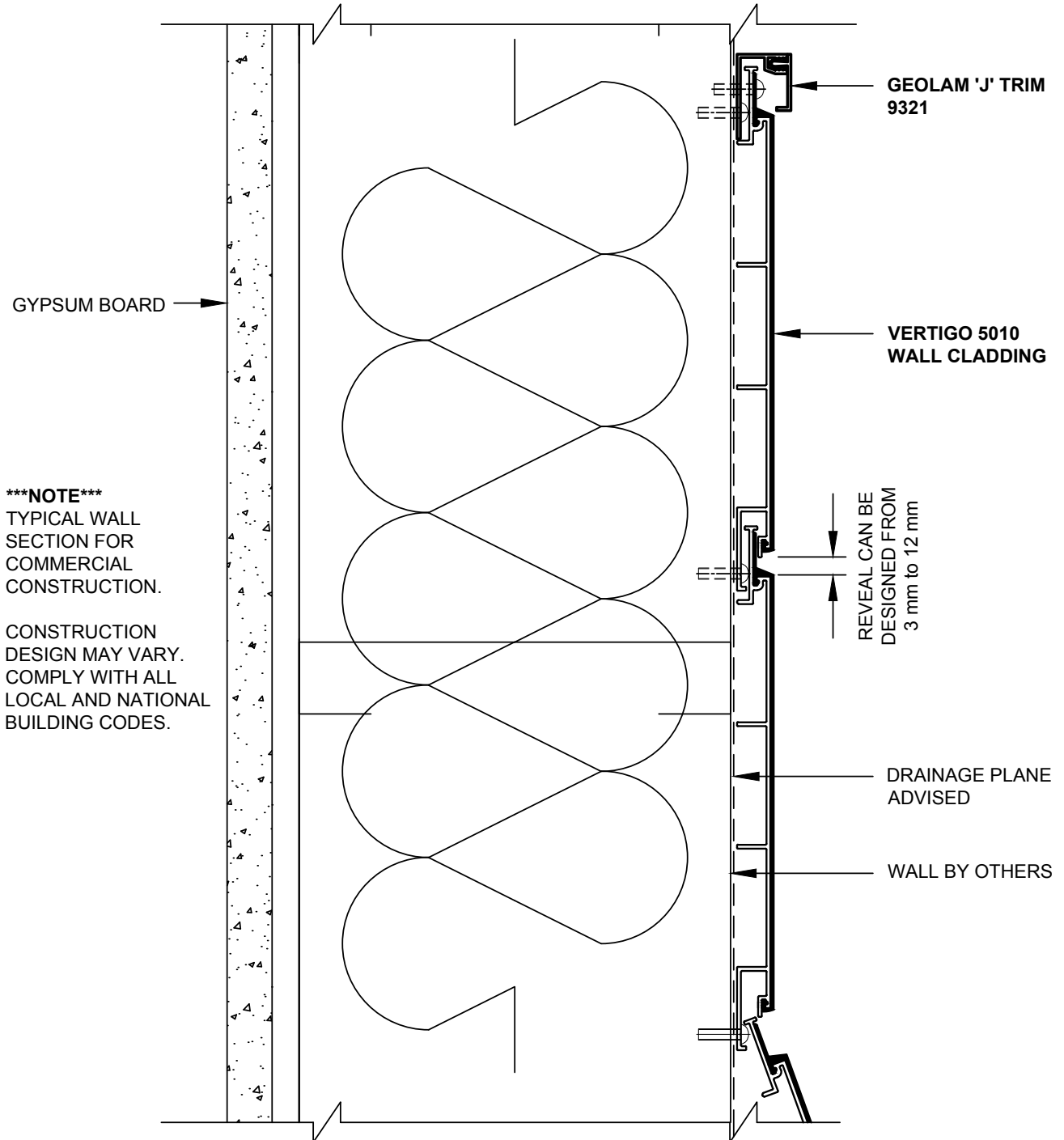
1. Install 2-Piece Starter/"J" at perimeter terminations (G)
2. Install first course into trim component and secure into place (H)
3. Slide adjacent panels with selected joint reveal gap and secure (I)
4. Install adjacent panels leaving 1/8" or 3mm between butt joints
5. Cut last panel as needed to fit into "J"/ Starter Trim and secure (K)





Vertigo 5010 / 5011

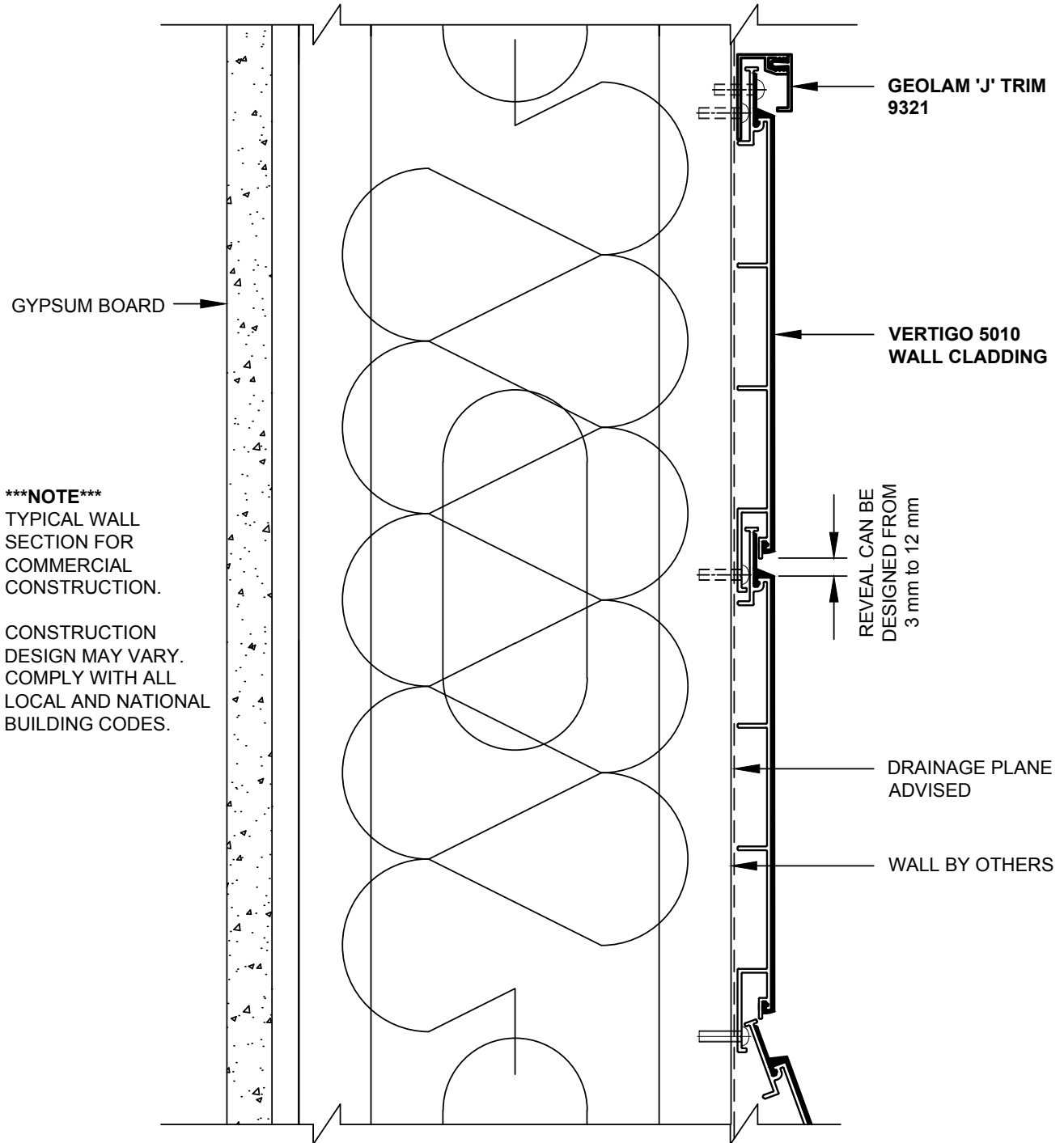
Cladding – Vertical Orientation Wall Detail (Plan View)





Vertigo 5010 / 5011

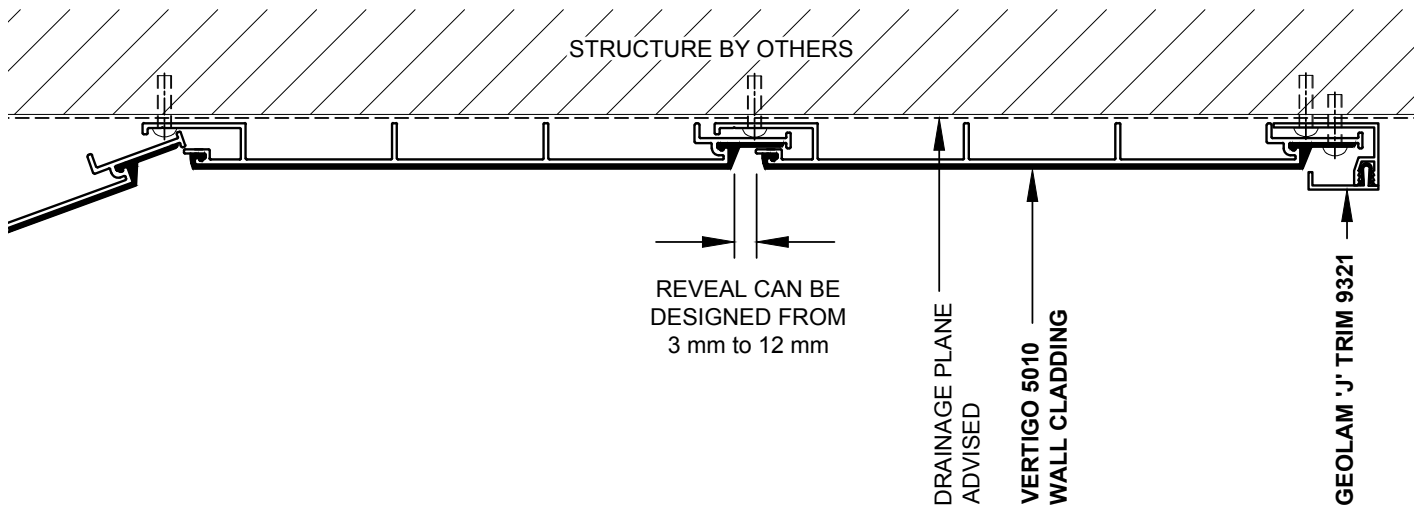
Cladding – Horizontal Orientation Wall Detail (Plan View)





Vertigo 5010 / 5011

Soffit (Plan View)

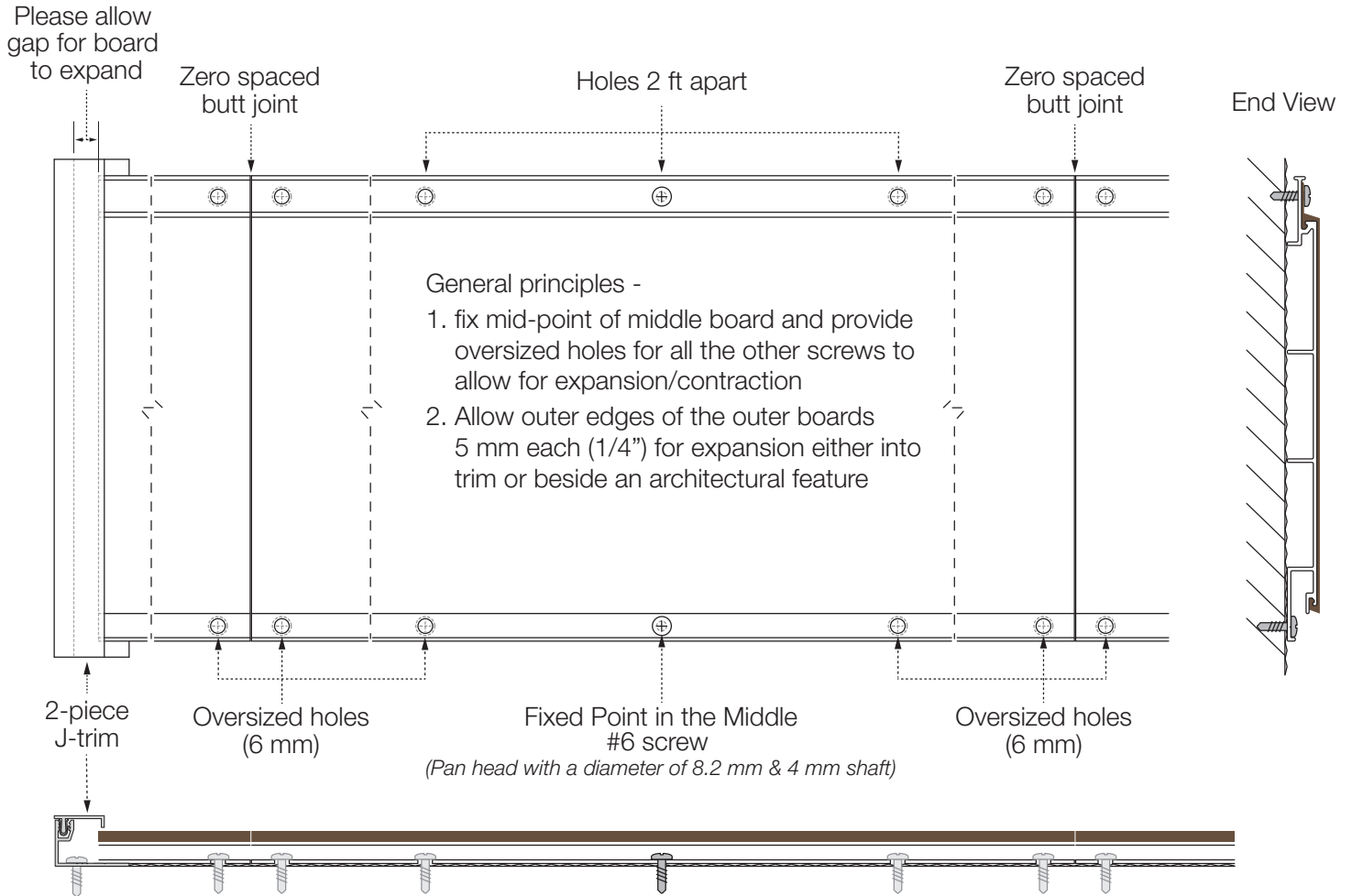




Vertigo 5010 / 5011

Alternative butt joint - zero spacing

3 boards mounted horizontally



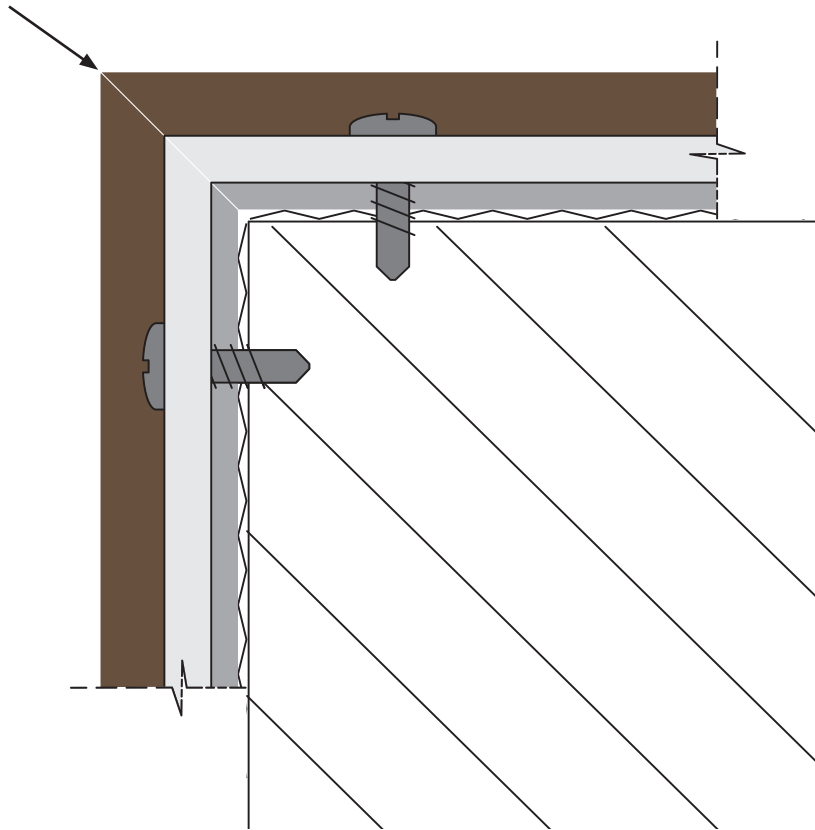
Outside boards expand into trim pieces or beside an architectural feature



Vertigo 5010 / 5011

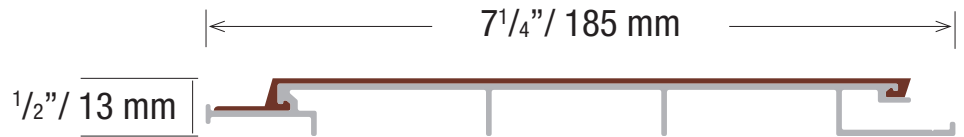
Mitered corner

Warning: mitered corners may be sharp!



TECHNICAL DATASHEET

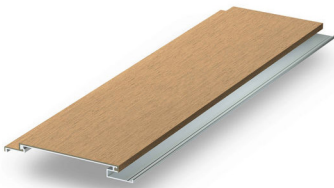
Vertigo 5010 CLADDING CO-EXTRUDED FOR EXTERIOR RAINSCREEN



Vertigo 5010 Alu/WPC

Thickness	1/2"
Width	7 1/4"
Length	12 ft
Weight/board	9.60 lbs
Colors	Teak, Moleskin, Rosewood, Ebony
Maximum distance between supports	24"

Vertigo 5011 CLADDING CO-EXTRUDED FOR EXTERIOR RAINSCREEN



Vertigo 5011 Alu/WPC

Thickness	1/2"
Width	5 1/8"
Length	12 ft
Weight/board	6.24 lbs
Colors	Teak, Moleskin, Rosewood, Ebony
Maximum distance between supports	24"

10-YEAR LIMITED WARRANTY

Extent of coverage:

This warranty is given to the original Purchaser of GEOLAM® wood plastic composite decking and/or cladding boards and/or hybrid aluminum/wpc boards. This warranty does not extend to fasteners that are not supplied by the boards' manufacturer.

Geolam, Inc. guarantees the Purchaser that, for a period of ten (10) years (the term) from the date of the original purchase, under normal use and service conditions, the GEOLAM® decking and/or cladding boards and/or hybrid aluminum/wpc boards be free from material defects in workmanship and materials, and will not split, splinter, rot or suffer structural damage from termites or fungal decay.

If such a defect appears during the term, Geolam, Inc. will, at its option, supply replacement product (but not the labour cost, freight, taxes or other expenses associated with de-installation and reinstallation) or refund the purchase in an amount not to exceed Manufacturer's cost of material.

How To File A Warranty Claim:

Purchaser must notify Geolam, Inc. in writing within thirty (30) days after the appearance of the defect, but no later than the end of the Term.

Purchaser shall send a brief written explanation of the defect, along with dated proof of purchase to Geolam, Inc., 9 Shorncliffe Avenue, Toronto, ON, M4V 1S9. Manufacturer reserves the right to request additional information, including, but not limited to, photos, and to conduct a field inspection.

Exclusion of limited warranty:

This limited Warranty does not cover product failure, product malfunction or any damages resulting from:

- (a) improper installation of GEOLAM® products and/or failure to comply with Geolam, Inc.'s installation instructions
- (b) beyond normal use, or in an application not recommended by Geolam, Inc.'s installation instructions and local building codes;
- (c) movement, distortion, collapse or settling of the ground or the supporting structure on which GEOLAM® products are installed;
- (d) any act of God (such as flooding, hurricane, earthquake, lightning, etc.), environmental condition (such as air pollution), or staining from foreign substances (such as dirt, grease, oil, etc.);
- (e) variations or changes in color of GEOLAM® products;
- (f) normal weathering due to exposure to sunlight, moisture, and atmosphere, and accumulation of dirt or stains;
- (g) damages of any kind caused by animals, domestic or otherwise;
- (h) improper handling, storage, abuse or neglect of GEOLAM® products by Purchaser, or third parties;
- (i) any fasteners not supplied by Geolam, Inc.; and

Failure to strictly adhere to Manufacturer's written instruction manual for the installation, use or maintenance of GEOLAM® will render this Limited Warranty null and void.

Limitations of remedies and exclusion of consequential and incidental damages

To the extent permitted by law, Geolam, Inc.'s liabilities are limited solely and exclusively to the obligations specifically specified herein and under no circumstances will Geolam, Inc. be liable or obligated for any incidental, consequential, indirect, special, punitive or any other damages of any kind whatsoever.

This writing is understood and intended to be the final expression of the parties' agreement and is **a complete and exclusive statement** of the terms and conditions with respect thereto, superseding all prior agreements or representations, oral or written, and all other communication between the parties relating to the subject matter of this agreement. No agent, employee or any other party is authorized to make any warranty on behalf of Geolam, Inc. in addition to that made in this agreement.

This warranty is effective for purchases made on or after May 1, 2011.